

SCPD 76/76 DIN is a dual flow pump with two separate flows of equal sizes.

SCPD 76/76 DIN gives a maximum flow of $127 + 127 = 254$ lit/min and supports a maximum working pressure of 350 bar. It can effectively be directly mounted on gear boxes equipped with engageable and disengageable power take-offs.

SCPD 76/76 is a modern, compact pump, which meets the market's high demands on flow performance, pressure, efficiency and small installation dimensions.

It is speed optimized and therefore supplied for either left (L) or right (R) rotation direction.

Other advantages:

- Large displacement gives the possibility of low engine speeds and low noise levels.
- Long life due to high demands on material selection, such as bearings, seals, etc.
- O-rings on all contact surfaces as well as double shaft seals eliminate oil leakage from the pump and power takeoff.
- Highest displacement-to-size-ratio on the market.

Versions, main data

Example

SC	PD	-	76/76	L	-	N	-	DL4	-	L35	-	S0	S	-	2	00
Line	1		2	3		4		5		6		7	8		9	10

Line	SC	Sunfab Compact
------	----	----------------

1. Type	PD	Dual flow pump
---------	----	----------------

2. Displacement	76/76
-----------------	-------

3. Direction of rotation	L	Left
	R	Right

4. Sealing	N	Nitrile
------------	---	---------

5. Mounting flange	DL4	DIN 4-h (ISO 7653-D)
--------------------	-----	----------------------

6. Shaft	L35	DIN 5462/ISO 14
----------	-----	-----------------

7. Connection cover	S0	Sunfab standard
---------------------	----	-----------------

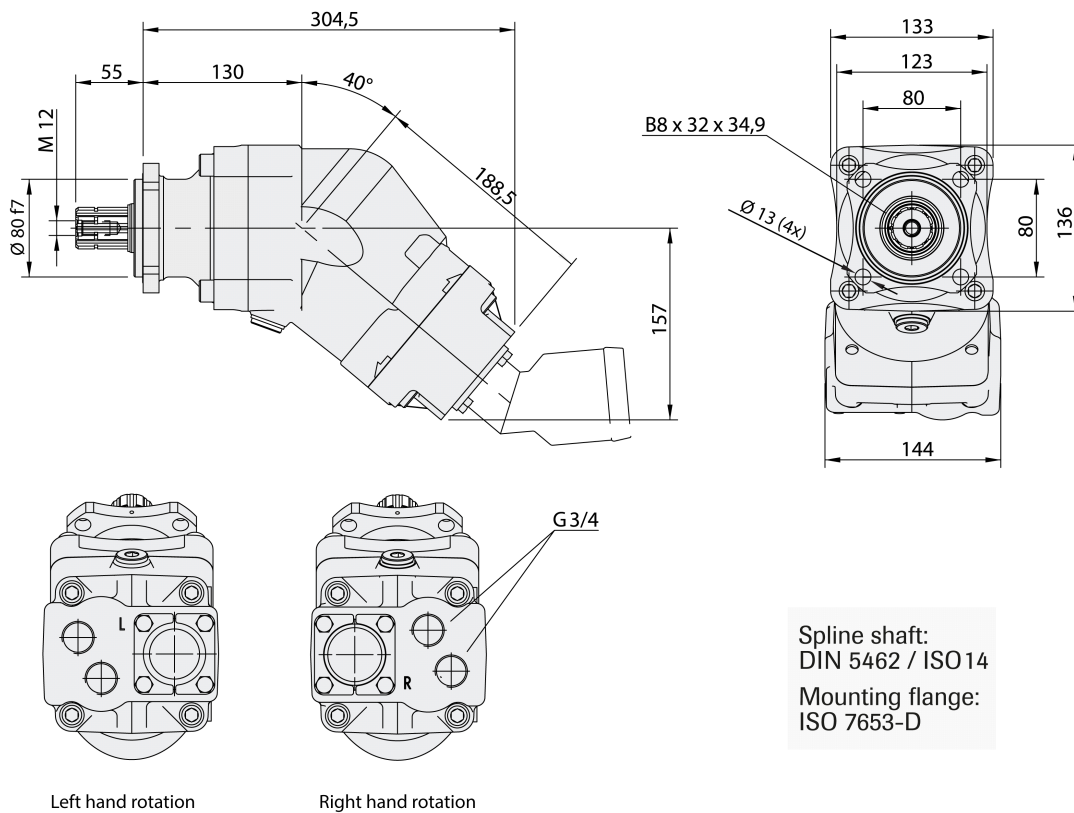
8. Connections	S	Sunfab standard
----------------	---	-----------------

9. Additional	2	Optimized
---------------	---	-----------

10. Accessories	00	No accessories available
-----------------	----	--------------------------

SCPD 76/76 DIN

Theoretical oil flow at pump speed	rpm	500	l/min		
		1000	37.5 + 37.5 = 75		
		1500	75.0 + 75.0 = 150		
Displacement		cm ³ /rev	75 + 75		
Max pump speed	rpm	1500			
		1700			
Max working pressure		bar	350		
Weight		kg	23.2		
Tare-weight torque		Nm	34.5		
Theoretical power at pressure and pump speed	rpm		200 Bar	250 Bar	350 Bar
		500	12.5 + 12.5 = 25.0 kW	15.6 + 15.6 = 31.2 kW	21.9 + 21.9 = 43.8 kW
		1000	25.0 + 25.0 = 50.0 kW	31.3 + 31.3 = 62.6 kW	43.8 + 43.8 = 87.6 kW
		1500	37.5 + 37.5 = 75 kW	46.9 + 46.9 = 93.8 kW	65.6 + 65.6 = 131.2 kW
Nominal torque on pump shaft at different pressures	rpm		200 Bar	250 Bar	350 Bar
		500	239 + 239 = 478 Nm	298 + 298 = 596 Nm	418 + 418 = 836 Nm
Direction of rotation		Left (L) or Right (R)			





WARNING

When the pump is running:

1. Do not touch the pressure hose
2. Watch out for rotating parts
3. The pump and hoses may be hot

*Sunfab reserves the right to make changes in design and dimensions without notice. Printing and typesetting errors reserved.
© Copyright 2015 Sunfab Hydraulics AB. All Rights Reserved.*