



aerospace
climate control
electromechanical
filtration
fluid & gas handling
hydraulics
pneumatics
process control
sealing & shielding



IQAN-ST Sensors

Electronic Control Systems



ENGINEERING YOUR SUCCESS.

Application

The IQAN-ST **temperature transducer** belongs to the family of IQAN accessories developed to complement IQAN control systems. IQAN-ST is a new **0-5V output temperature transducer** for mobile hydraulic applications. This transducer is available in three interface types; G1/4 BSP, M10 and 9/16"-18 UNF SAE 6. The G1/4 BSP and M10 sensors have an integral Bosch automotive connector. The SAE 6 sensor has a short cable-mounted Deutsch connector. To make the sensor suitable for mobile equipment, we have focused upon properties such as reliability, electromagnetic immunity and ease of installation.

Properties

Reliability

The IQAN-ST has stainless steel construction for strength. The **PT100** sensor uses thin film technology with internal amplification. All versions of the sensor have high pressure capability. The IQAN-ST is very robust and able to withstand heavy vibrations.

Electromagnetic immunity

The design of the IQAN-ST has an EMI cap that separates the sensor electronics from the connector. This ensures a high level of EMI protection.

Installation

The IQAN-ST is well designed for the mobile hydraulics industry. The 3 pin integral Bosch connector is a sealed AMP Junior Timer type. The Deutsch connector is the DT04 type. Both connectors are designed for automotive use. These connectors give the sensor IP65 protection for exposed outdoor applications. The hex of the G1/4 BSP and M10 versions of the transducer have integrated face seals to eliminate loose sealing washers. The SAE 6 sensor type has a factory installed O-ring. These features provide for easy installation and removal, even in field conditions.

Specifications

General

Weight	50 g
Operating temperature	-50 to 150°C
Protection	outdoor use
Pressure rating	
G (1/4 BSP)	Max 700 bar
M (M10)	Max 350 bar
U (SAE 6)	Max 1000 bar

Electrical

Voltage supply V_s	5±0.5 Vdc Max 6 Vdc
Current consumption	5.0 µA Max 7.5 µA
Total error (25°C)	1%
Total error (-40 to 150°C)	4%

Output

FS (150°C)	4.75 Vdc
Zero (-50°C)	0.25 Vdc
Span	4.50 Vdc
Ratiometricity	1%
Linearity	1% FS

Threaded interfaces

G	1/4"-19 BSP with integral face seal
M	M10 x 1, with integral face seal
U	9/16"-18 UNF, SAE 6 with nitrile o-ring seal

Connectors

B	Bosch -AMP Junior Timer
D	Deutsch DT04-4P

Orderable unit codes

IQAN-ST-G-B ordering part no.	G1/4 with Bosch 20073657
---	------------------------------------

IQAN-ST-M-B ordering part no.	M10 with Bosch 20073659
----------------------------------	-----------------------------------

IQAN-ST-U-D ordering part no.	SAE 6 with Deutsch 20073658
----------------------------------	---------------------------------------

Environmental Protection

EMI

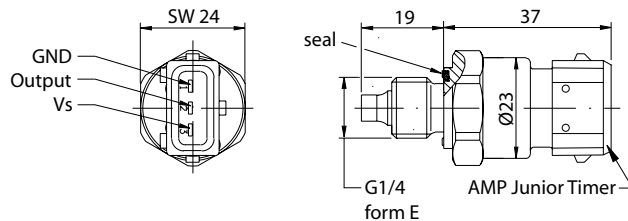
EN 55022 (radiated emission), <30 dBµV/m
 ISO 11452, T5 (immunity vs EM field), 200 V/m
 EN 61000-4-6 (immunity vs injected RF), 10 V
 EN 61000-4-4 (immunity vs supply transients), 1 kV

Mechanical environment

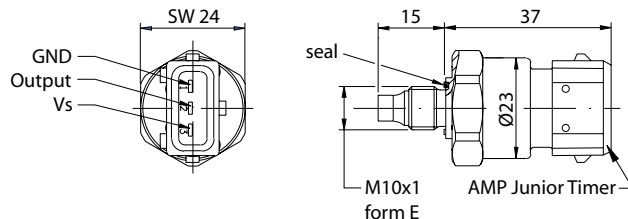
IEC 60068-2-64 (vibration), 0.4 g²/Hz, 1.5 to 250 kHz
 IEC 60068-2-27 (shock)

Climate environment

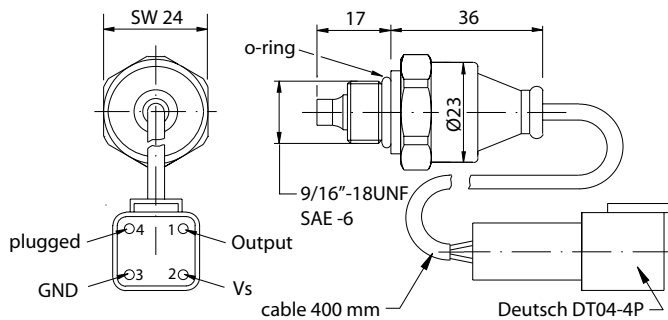
IEC 60529 (water), IP65



IQAN-ST-G-B



IQAN-ST-M-B



IQAN-ST-U-D

unit = mm

! WARNING

FAILURE OR IMPROPER SELECTION OR IMPROPER USE OF THE PRODUCTS AND/OR SYSTEMS DESCRIBED HEREIN OR RELATED ITEMS CAN CAUSE DEATH, PERSONAL INJURY AND PROPERTY DAMAGE.

This document and other information from Parker Hannifin Corporation, its subsidiaries and authorized distributors provide product and/or system options for further investigation by users having technical expertise. It is important that you analyze all aspects of your application, including consequences of any failure, and review the information concerning the product or system in the current product catalogue. Due to the variety of operating conditions and applications for these products or systems, the user, through its own analysis and testing, is solely responsible for making the final selection of the products and systems and assuring that all performance, safety and warning requirements of the application are met.

The products described herein, including without limitation, product features, specifications, designs, availability and pricing, are subject to change by Parker Hannifin Corporation and its subsidiaries at any time without notice.

Offer of Sale

Please contact your Parker representation for a detailed "Offer of Sale".

Parker Worldwide

AE – UAE, Dubai
Tel: +971 4 8127100
parker.me@parker.com

AR – Argentina, Buenos Aires
Tel: +54 3327 44 4129

AT – Austria, Wiener Neustadt
Tel: +43 (0)2622 23501-0
parker.austria@parker.com

AT – Eastern Europe, Wiener Neustadt
Tel: +43 (0)2622 23501 900
parker.easteurope@parker.com

AU – Australia, Castle Hill
Tel: +61 (0)2-9634 7777

AZ – Azerbaijan, Baku
Tel: +994 50 2233 458
parker.azerbaijan@parker.com

BE/LU – Belgium, Nivelles
Tel: +32 (0)67 280 900
parker.belgium@parker.com

BR – Brazil, Cachoeirinha RS
Tel: +55 51 3470 9144

BY – Belarus, Minsk
Tel: +375 17 209 9399
parker.belarus@parker.com

CA – Canada, Milton, Ontario
Tel: +1 905 693 3000

CH – Switzerland, Etoy
Tel: +41 (0) 21 821 87 00
parker.switzerland@parker.com

CL – Chile, Santiago
Tel: +56 2 623 1216

CN – China, Shanghai
Tel: +86 21 2899 5000

CZ – Czech Republic, Klecany
Tel: +420 284 083 111
parker.czechrepublic@parker.com

DE – Germany, Kaarst
Tel: +49 (0)2131 4016 0
parker.germany@parker.com

DK – Denmark, Ballerup
Tel: +45 43 56 04 00
parker.denmark@parker.com

ES – Spain, Madrid
Tel: +34 902 330 001
parker.spain@parker.com

FI – Finland, Vantaa
Tel: +358 (0)20 753 2500
parker.finland@parker.com

FR – France, Contamine s/Arve
Tel: +33 (0)4 50 25 80 25
parker.france@parker.com

GR – Greece, Athens
Tel: +30 210 933 6450
parker.greece@parker.com

HK – Hong Kong
Tel: +852 2428 8008

HU – Hungary, Budapest
Tel: +36 1 220 4155
parker.hungary@parker.com

IE – Ireland, Dublin
Tel: +353 (0)1 466 6370
parker.ireland@parker.com

IN – India, Mumbai
Tel: +91 22 6513 7081-85

IT – Italy, Corsico (MI)
Tel: +39 02 45 19 21
parker.italy@parker.com

JP – Japan, Fujisawa
Tel: +(81) 4 6635 3050

KR – South Korea, Seoul
Tel: +82 2 559 0400

KZ – Kazakhstan, Almaty
Tel: +7 7272 505 800
parker.easteurope@parker.com

LV – Latvia, Riga
Tel: +371 6 745 2601
parker.latvia@parker.com

MX – Mexico, Apodaca
Tel: +52 81 8156 6000

MY – Malaysia, Shah Alam
Tel: +60 3 7849 0800

NL – The Netherlands, Oldenzaal
Tel: +31 (0)541 585 000
parker.nl@parker.com

NO – Norway, Asker
Tel: +47 66 75 34 00
parker.norway@parker.com

NZ – New Zealand, Mt Wellington
Tel: +64 9 574 1744

PL – Poland, Warsaw
Tel: +48 (0)22 573 24 00
parker.poland@parker.com

PT – Portugal, Leca da Palmeira
Tel: +351 22 999 7360
parker.portugal@parker.com

RO – Romania, Bucharest
Tel: +40 21 252 1382
parker.romania@parker.com

RU – Russia, Moscow
Tel: +7 495 645-2156
parker.russia@parker.com

SE – Sweden, Spånga
Tel: +46 (0)8 59 79 50 00
parker.sweden@parker.com

SG – Singapore
Tel: +65 6887 6300

SK – Slovakia, Banska Bystrica
Tel: +421 484 162 252
parker.slovakia@parker.com

SL – Slovenia, Novo Mesto
Tel: +386 7 337 6650
parker.slovenia@parker.com

TH – Thailand, Bangkok
Tel: +662 717 8140

TR – Turkey, Istanbul
Tel: +90 216 4997081
parker.turkey@parker.com

TW – Taiwan, Taipei
Tel: +886 2 2298 8987

UA – Ukraine, Kiev
Tel: +380 44 494 2731
parker.ukraine@parker.com

UK – United Kingdom, Warwick
Tel: +44 (0)1926 317 878
parker.uk@parker.com

US – USA, Cleveland (industrial)
Tel: +1 216 896 3000

US – USA, Lincolnshire (mobile)
Tel: +1 847 821 1500

VE – Venezuela, Caracas
Tel: +58 212 238 5422

ZA – South Africa, Kempton Park
Tel: +27 (0)11 961 0700
parker.southafrica@parker.com



European Product Information Centre

Free phone: 00 800 27 27 5374
(from AT, BE, CH, CZ, DE, EE, ES, FI, FR, IE, IL, IS, IT, LU, MT, NL, NO, PT, SE, SK, UK)

US Product Information Centre

Free phone: 1-800-27 27 537
www.parker.com