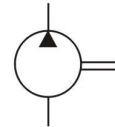
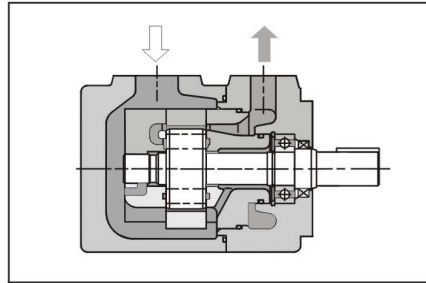


PVL Series Vane Pumps



PVL Series Single Pumps



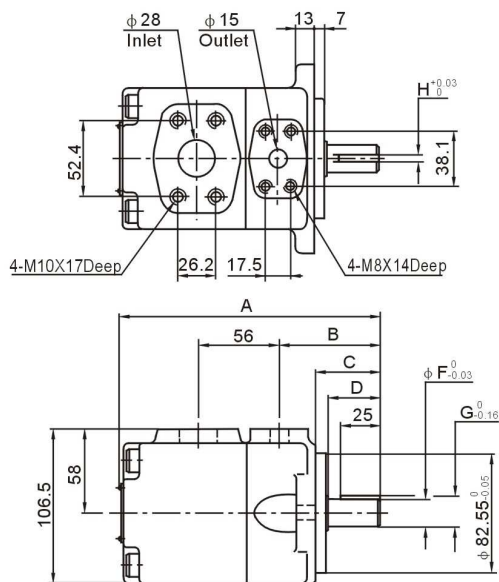
Model Code

F-	PVL2	-47	-F	F	-1	R	-U	-10
Prefix, fluid compatibility	Series	Geometric displacement	Mounting	Port connections	Shaft	Rotation	Outlet positions	Design
Omit-Using antiwear oil wate glycol fluid F-phosphate ester fluid	PVL1	6,8,10,12,14,17,19, 23,25,28,31	F-Flange mounting	F-SAE 4-bolt flange	1-Str.key (standard)	(Viewed from shaft end)		10
	PVL2	26,33,41,47,53,59, 65,75	L-Foot mounting	S-Thd flange	2-Str.key	R-Right hand for clockwise	U-up D-down	
	PVL3	52,60,66,76,85,94, 116,125,136,153				L-Left hand for counter clockwise	R-right L-left	

Note:1.For options other than listed above, i.e shafts, ports, displacement, and mountings, please contact us.
2.Inlet port is set to be on the upper side

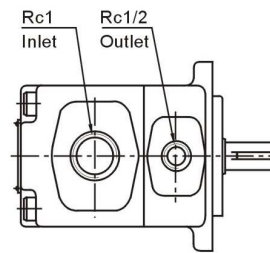
Installation dimensions

PVL1-※-FF(Flange Mounting)

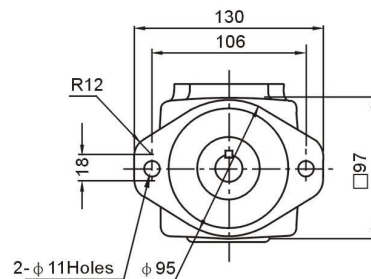


Shaft form	A	B	C	D	F	G	H
1	178.5	69.5	44.5	36	19.05	21.24	4.76
2	184	75	50	41	15.88	17.68	3.97

PVL1-※-FS(Thd Flange)



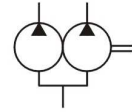
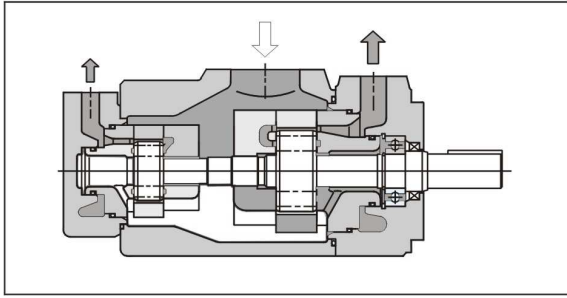
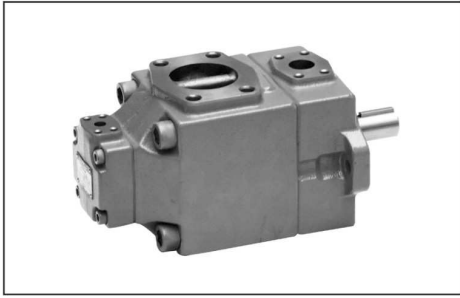
For other dimensions refer to "flange mounting" type



Specifications

Model	Displacement mL/r	Max.pressure.MPa			Flow L/min					Input power kW					Speed r/min		Weight kg
		Special oil	Antiwear oil	Common oil	Discharge pressure MPa					Discharge pressure MPa					Min.	Max.	
					0.7	7	14	Pn	21	0.7	7	14	Pn	21			
PVL1-6	5.8	21	17.5	16	8.4	7.5	6.5	6.0	5.6	0.2	1.5	3.0	3.7	4.4	750	1800	9.0
PVL1-8	8.0				11.7	10.8	9.9	9.4	9.0	0.2	2.0	3.8	4.8	5.2			
PVL1-10	9.4				13.6	12.9	11.9	11.5	10.8	0.2	2.3	4.3	5.3	6.4			
PVL1-12	12.2				18.0	17.0	15.8	15.2	14.8	0.3	2.7	5.2	6.5	7.8			
PVL1-14	13.7				20.2	19.0	17.8	17.2	16.7	0.3	3.0	5.7	7.2	8.5			
PVL1-17	16.6				24.5	23.5	22.2	21.5	21.0	0.4	3.3	6.8	8.5	10.1			
PVL1-19	18.6				27.5	26.5	25.1	24.5	24.0	0.4	3.6	7.7	9.5	11.5			
PVL1-23	22.7				33.2	32.2	31.1	30.5	30.0	0.5	4.6	9.4	12.0	14.0			
PVL1-25	25.3				37.0	36.0	35.0	34.1	33.8	0.5	5.0	10.5	12.7	16.0			
PVL1-28	28.1				41.1	40	38.5	37.8	37.1	0.55	5.4	10.6	13	16.5			
PVL1-31	31.0	16	16		45.8	44.5	43.4	43.0	—	0.6	6.1	12.4	14.4	—			
PVL2-26	26.6	21	17.5	14	39.0	36.5	34.0	32.5	31.2	0.6	6.0	11.0	13.7	16.5	600	1800	19.0
PVL2-33	33.3				49.0	47.0	44.0	42.8	42.0	0.6	7.5	14.0	17.0	20.5			
PVL2-41	41.3				61.0	58.9	56.1	55.0	53.5	0.9	8.2	16.0	20.5	24.5			
PVL2-47	47.2				70.0	67.5	64.6	63.8	62.0	1.0	9.0	18.0	23.5	27			
PVL2-53	52.5				77.0	73.4	71.0	69.0	67.0	1.1	10.0	20.5	26	31			
PVL2-59	58.2				85.0	82.0	79.0	77.0	76.0	1.2	12.0	23.5	29	34			
PVL2-65	64.7				95.0	91.5	88.0	86.0	85.0	1.3	13.0	26	32	38			
PVL2-75	74.6				109	105	101	99.2	98.0	1.5	15.0	30	37	43			
PVL3-52	52.2	21	17.5	14	77.0	71.0	65.0	62.0	58.0	1.1	12.0	21.5	26.5	31.5	600	1800	36.7
PVL3-60	59.6				88.0	82.0	75.0	71.0	68.0	1.2	12.5	23.0	29.0	35.0			
PVL3-66	66.3				98.0	92.0	85.0	81.0	77.5	1.3	13.0	26	32.5	38			
PVL3-76	76.4				112	107	101	97	94.0	1.6	16.0	30	37	44			
PVL3-85	85				125	119	112.5	108	105.4	1.7	14.5	33.0	41.0	48.5			
PVL3-94	93.6				138	132	124	120	117	1.9	19.0	36	45	53			
PVL3-116	115.6	16	16		171	165	157	156	—	2.3	22.0	44	50	—			
PVL3-125	122.2			181	175	166	165	—	2.4	24.0	45	51	—				
PVL3-136	136			202	195	186	184	—	2.7	26.2	50.2	57	—				
PVL3-153	153			228	219	208	207	—	3.0	29.4	56.1	63.6	—				

PVL Series Double Pumps

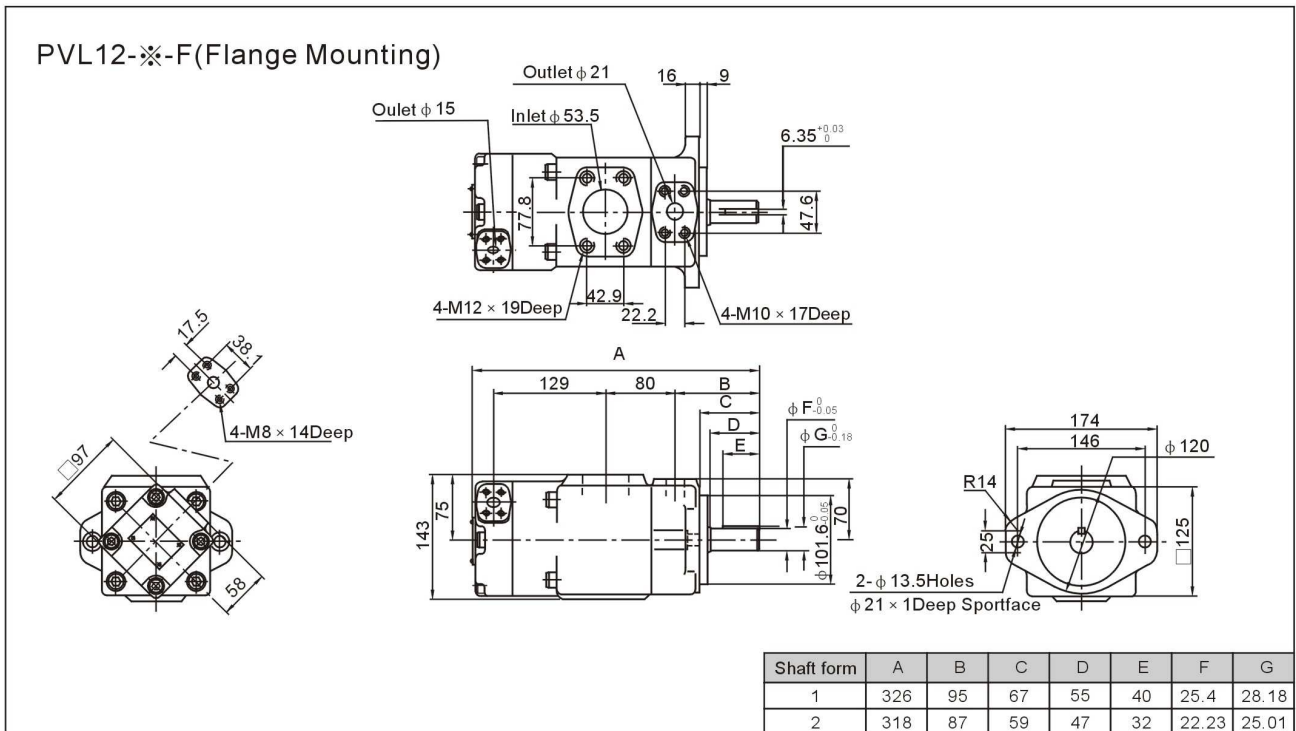


Model Code

F-	PVL13	-6	-76	-F	-1	R	-U	U	-10
Prefix, fluid compatibility	Series	Geometric displacement		Mounting	Shaft	Rotation	Outlet positions		Design
		Cover end pump	Shaft end pump				Cover and pump	Shaft and pump	
Omit-Using antiwear oil water glycol fluid F-phosphate ester fluid	PVL12	6, 8, 10, 12, 14, 17, 19, 23, 25, 28, 31	26, 33, 41, 47, 53, 59, 65, 75	F-Flange mounting	1-Str.key (standard)	R-Right hand for clockwise	(Viewed from shaft end) U: Left-up 45° D: Right-down 45° R: Right-up 45° L: Left-down 45°		10
	PVL13	6, 8, 10, 12, 14, 17, 19, 23, 25, 28, 31	52, 60, 66, 76, 85, 94, 116, 125, 136, 153	L-Foot mounting	2-Str.key	L-Left hand for counter clockwise	U: Up D: Down R: Right L: Left	U: Up D: Down R: Right L: Left	
	PVL23	26, 33, 41, 47, 53, 59, 65, 75	52, 60, 66, 76, 85, 94, 116, 125, 136, 153				U: Left-up 45° D: Right-down 45° R: Right-up 45° L: Left-down 45°	L: Left	

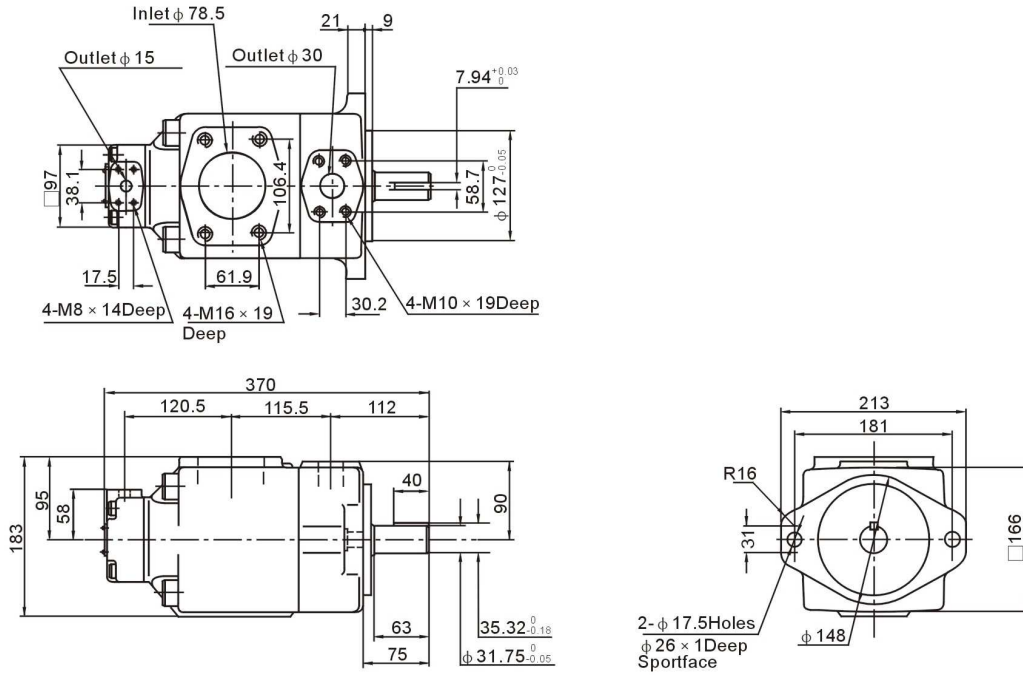
Note: 1. For options other than listed above, i.e. shafts, ports, displacement, and mountings, please contact us.
2. Inlet port is set to be on the upper side

Installation dimensions

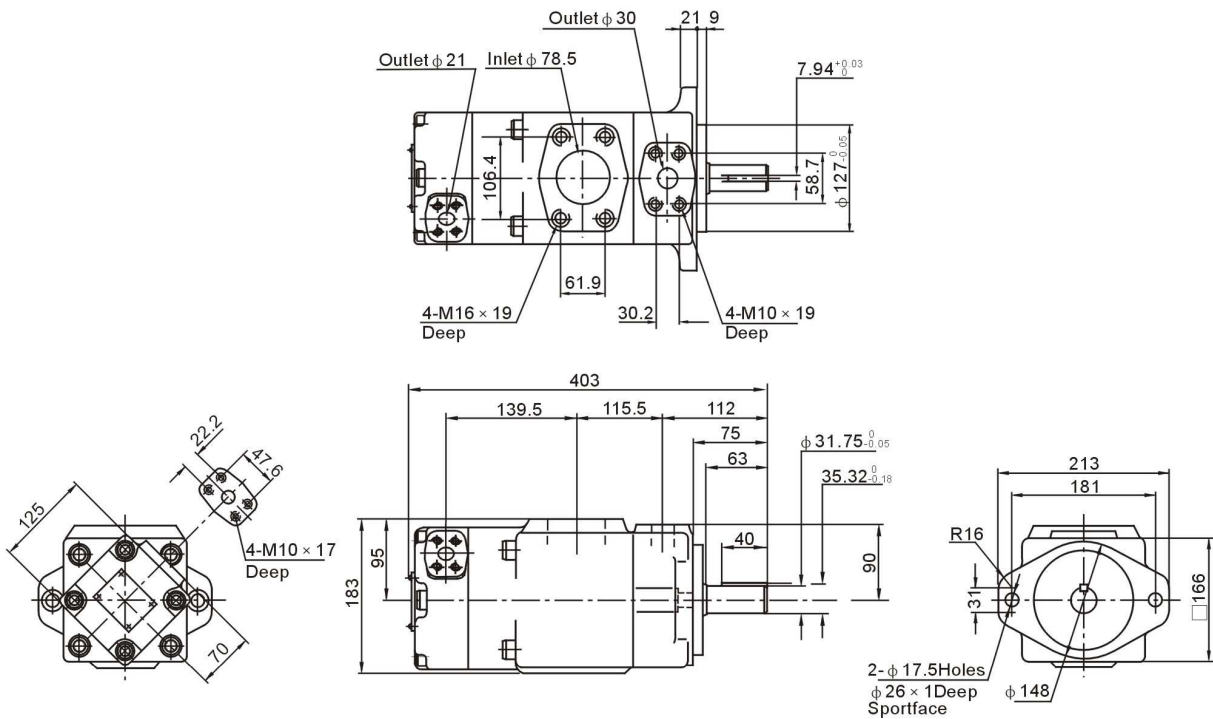


Installation dimensions

PVL13-※-F(Flange Mounting)



PVL23-※-F(Flange Mounting)



Specifications

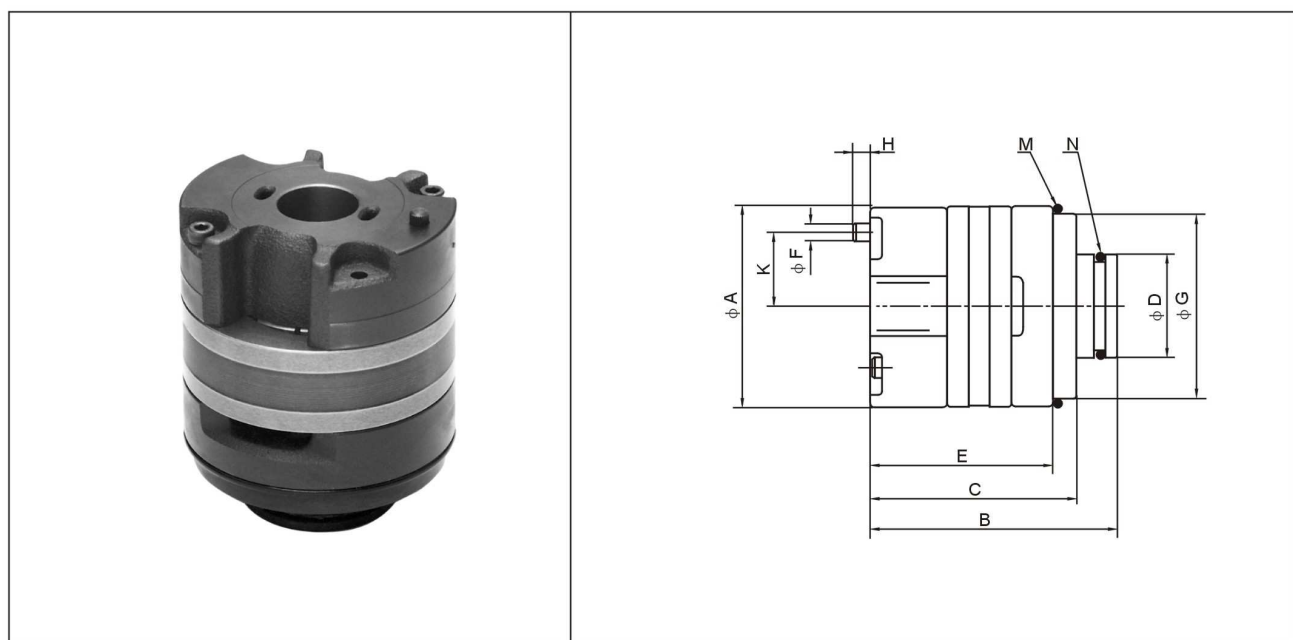
Model	Discharge port	Displ. mL/r	Max. Pressure MPa			Flow L/min					Input power kW					Speed r/min		Weight kg	
			Specil oil	Antiwear oil	Common oil	Discharge pressure MPa					Discharge pressure MPa					Min.	Max.		
						0.7	7	14	Pn	21	0.7	7	14	Pn	21				
PVL12	Shaft end pump	26	21	17.5	14	39.0	36.5	34.0	32.5	31.2	0.6	6.0	11.0	13.7	16.5	750	1800	25	
		33				49.0	47.0	44.0	42.8	42.0	0.6	7.5	14.0	17.0	20.5				
		41				61.0	58.9	56.1	55.0	53.5	0.9	8.2	16.0	20.5	24.5				
		47				70.0	67.5	64.6	63.8	62.0	1.0	9.0	18.0	23.5	27				
		53				77.0	73.4	71.0	69.0	67.0	1.1	10.0	20.5	26	31				
		59				85.0	82.0	79.0	77.0	76.0	1.2	12.0	23.5	29	34				
		65				95.0	91.5	88.0	86.0	85.0	1.3	13.0	26	32	38				
		75				109	105	101	99.2	98.0	1.5	15.0	30	37	43				
		Cover end pump				6	21	17.5	16	8.4	7.5	6.5	6.0	5.6	0.2				1.5
	8		11.7	10.8	9.9	9.4				9.0	0.2	2.0	3.8	4.8	5.2				
	10		13.6	12.9	11.9	11.5				10.8	0.2	2.3	4.3	5.3	6.4				
	12		18.0	17.0	15.8	15.2				14.8	0.3	2.7	5.2	6.5	7.8				
	14		20.2	19.0	17.8	17.2				16.7	0.3	3.0	5.7	7.2	8.5				
	17		24.5	23.5	22.2	21.5				21.0	0.4	3.3	6.8	8.5	10.1				
	19		27.5	26.5	25.1	24.5				24.0	0.4	3.6	7.7	9.5	11.5				
	23		33.2	32.2	31.1	30.5				30.0	0.5	4.6	9.4	12.0	14.0				
	25		37.0	36.0	35.0	34.1				33.8	0.5	5.0	10.5	12.7	16.0				
	28		41.1	40	38.5	37.8				37.1	0.55	5.4	10.6	13	16.5				
	31		45.8	44.5	43.4	43.0				—	0.6	6.1	12.4	14.4	—				
	PVL13		Shaft end pump	52	21	17.5				14	77.0	71.0	65.0	62.0	58.0	1.1	12.0	21.5	26.5
		60		88.0			82.0	75.0	71.0		68.0	1.2	12.5	23.0	29.0	35.0			
		66		98.0			92.0	85.0	81.0		77.5	1.3	13.0	26	32.5	38			
		76		112			107	101	97		94.0	1.6	16.0	30	37	44			
		85		125			119	112.5	108		105.4	1.7	14.5	33.0	41.0	48.5			
		94		138			132	124	120		117	1.9	19.0	36	45	53			
		116		171			165	157	156		—	2.3	22.0	44	50	—			
		125		181			175	166	165		—	2.4	24.0	45	51	—			
		136		202			195	186	184		—	2.7	26.2	50.2	57	—			
		153	228	219	208	207	—	3.0	29.4	56.1	63.6	—							
		Cover end pump	6	21	17.5	16	8.4	7.5	6.5	6.0	5.6	0.2	1.5	3.0	3.7	4.4			
			8				11.7	10.8	9.9	9.4	9.0	0.2	2.0	3.8	4.8	5.2			
10			13.6				12.9	11.9	11.5	10.8	0.2	2.3	4.3	5.3	6.4				
12			18.0				17.0	15.8	15.2	14.8	0.3	2.7	5.2	6.5	7.8				
14			20.2				19.0	17.8	17.2	16.7	0.3	3.0	5.7	7.2	8.5				
17			24.5				23.5	22.2	21.5	21.0	0.4	3.3	6.8	8.5	10.1				
19			27.5				26.5	25.1	24.5	24.0	0.4	3.6	7.7	9.5	11.5				
23			33.2				32.2	31.1	30.5	30.0	0.5	4.6	9.4	12.0	14.0				
25			37.0				36.0	35.0	34.1	33.8	0.5	5.0	10.5	12.7	16.0				
28	41.1		40				38.5	37.8	37.1	0.55	5.4	10.6	13	16.5					
PVL23	Shaft end pump	52	21	17.5	14	77.0	71.0	65.0	62.0	58.0	1.1	12.0	21.5	26.5	31.5	600	1800	51	
		60				88.0	82.0	75.0	71.0	68.0	1.2	12.5	23.0	29.0	35.0				
		66				98.0	92.0	85.0	81.0	77.5	1.3	13.0	26	32.5	38				
		76				112	107	101	97	94.0	1.6	16.0	30	37	44				
		85				125	119	112.5	108	105.4	1.7	14.5	33.0	41.0	48.5				
		94				138	132	124	120	117	1.9	19.0	36	45	53				
		116				171	165	157	156	—	2.3	22.0	44	50	—				
		125				181	175	166	165	—	2.4	24.0	45	51	—				
		136				202	195	186	184	—	2.7	26.2	50.2	57	—				
	153	228	219	208	207	—	3.0	29.4	56.1	63.6	—								
	Cover end pump	26	21	17.5	14	39.0	36.5	34.0	32.5	31.2	0.6	6.0	11.0	13.7	16.5				
		33				49.0	47.0	44.0	42.8	42.0	0.6	7.5	14.0	17.0	20.5				
		41				61.0	58.9	56.1	55.0	53.5	0.9	8.2	16.0	20.5	24.5				
		47				70.0	67.5	64.6	63.8	62.0	1.0	9.0	18.0	23.5	27				
		53				77.0	73.4	71.0	69.0	67.0	1.1	10.0	20.5	26	31				
		59				85.0	82.0	79.0	77.0	76.0	1.2	12.0	23.5	29	34				
		65				95.0	91.5	88.0	86.0	85.0	1.3	13.0	26	32	38				
		75				109	105	101	99.2	98.0	1.5	15.0	30	37	43				

PVL Series Cartridge Kits

Model Code

PC-	PVL1	-23	-R
Cartridge kit mark	Series	Geometric Displacement	Rotation
PC-Single pump cartridge kits Double pump shaft end pump cartridge kits PCT-Double pump cover end pump cartridge kits	PVL1	6, 8, 10, 12, 14, 17, 19, 23, 25, 28, 31	(Viewed from shaft end) R-Right hand for clockwise L-Left hand for counter clockwise
	PVL2	26, 33, 41, 47, 53, 59, 65, 75	
	PVL3	52, 60, 66, 76, 85, 94, 116, 125, 136, 153	

Installation dimensions



Series	A	B	C	D	E	F	G	H	K	M	N
PVL1	68	84	70	35	62	6	62.7	5	R25	59.4 × 3.1	29.4 × 3.1
PVL2	90	109	93	52	82	6	84.7	5	R36	84.4 × 3.1	45.7 × 3.5
PVL3	120.5	127.5	106	72	94	8	115	8	R48	114.4 × 3.1	65.0 × 3.5

Series	Inner splines dentiform parameter of rotor					
	Modulus	No.of teeth	Pressure angle	Major Dia	Minor Dia	Space width
PVL1	0.75	24	45°	19.050	17.550	1.328
PVL2	1.0	24	45°	25.400	23.400	1.771
PVL3	1.0	28	45°	29.400	27.400	1.771