



Fixed displacement bent axis piston pumps, for truck applications.

Replaces: STR 03 T E



DISPLACEMENTS

From 40,9 cm³/rev
To 110 cm³/rev



MAX. SPEED

2500 min⁻¹

PRESSURE

Max. continuous 350 bar
Max. peak 400 bar

- Compact design.
- High volumetric, mechanical and overall efficiency.
- Low noise level.
- Reliability.
- Clockwise or anti-clockwise rotation turning the end cover 180°.

APPLICATION

High pressure

SECTOR

Mobil hydraulic

STRADA pumps are ideally suited for PTOs applications in vehicles. These pumps are available with different flange options.

Pump type		BAP30•40	BAP30•50	BAP30•63	BAP30•71	BAP30•80	BAP35•80	BAP35•110
Displacement	[cm ³ /giro]	40,9	50,1	63	71,6	78,3	79,1	110
Max. pressure	[bar]	cont.	350	350	350	315	350	300
		peak	400	400	400	350	350	400
Max. selfpriming speed	[min ⁻¹]	1850	1700	1600	1300	1300	1300	1300
Max. speed	[min ⁻¹]	2500	2400	2200	2000	2000	2200	2000
Mass	[kg]	10	10	10	10	10	16	17

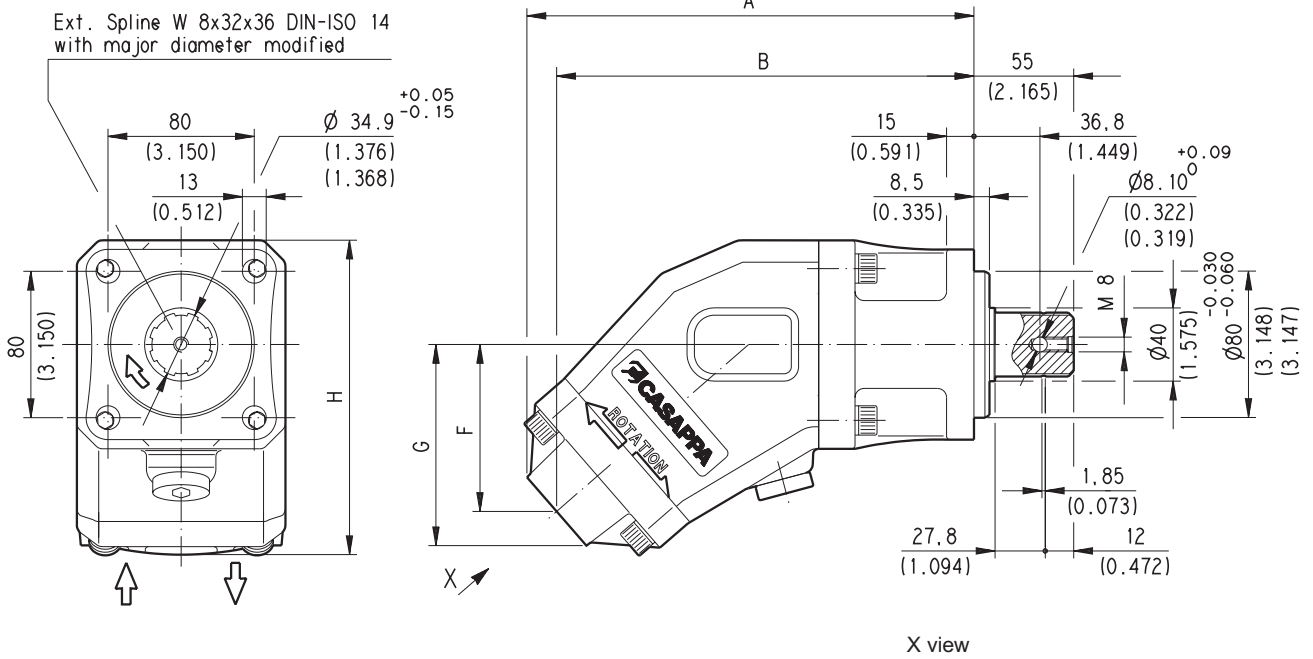
cont. = continuous

Direction of rotation (looking on drive shaft)	Clockwise or anti-clockwise rotation
Inlet pressure range	0.85 ÷ 2 bar (abs.)
Operating temperature	80 °C
Fluid	Mineral oil based hydraulic fluids to DIN 51524
Viscosity range	From 10 to 400 mm ² /s (cSt) recommended
	1000 mm ² /s (cSt) tolerated for cold starting
Filtering requirement	Cleanliness grade 8 according to class NAS 1638

Edition: 04/09.2002

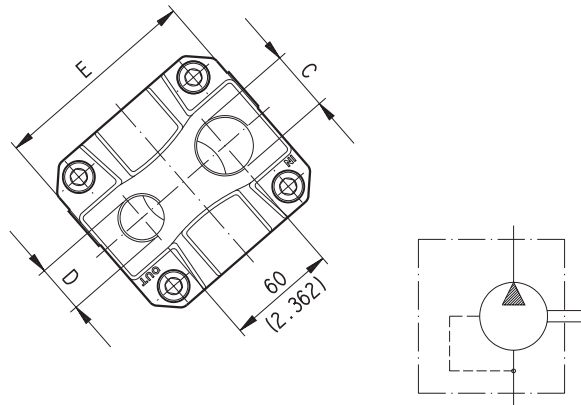
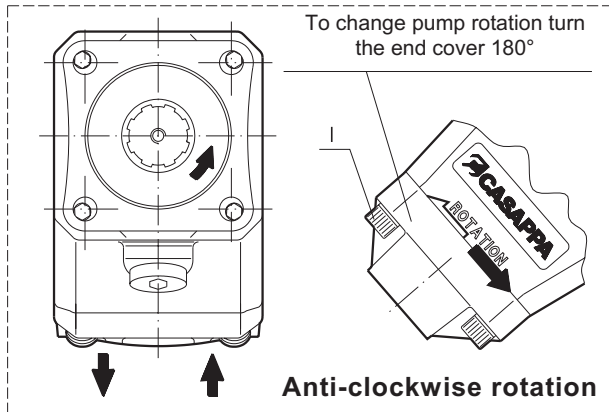
HYDRAULIC PISTON PUMPS ISO STANDARD

16 Z0



Replaces: 03/06.99

D026-D23/0902



Pump type	A	B	C	D	E	F	G	H	I
	mm	mm	IN - BSPP (Nm)	OUT - BSPP (Nm)	mm	mm	mm	mm	Nm
BAP 30•40	244	228	G 1 (50 +2,5)	G 3/4 (90 +5)	116	91	110	173	40 +5
BAP 30•50									
BAP 30•63									
BAP 30•71									
BAP 30•80									
BAP 35•80	269	251	G 1 1/4 (60 +5)	G 1 (130 +10)	127	108	129	198	70 +5
BAP 35•110									

Rotation: S=anti-clockwise - D=clockwise

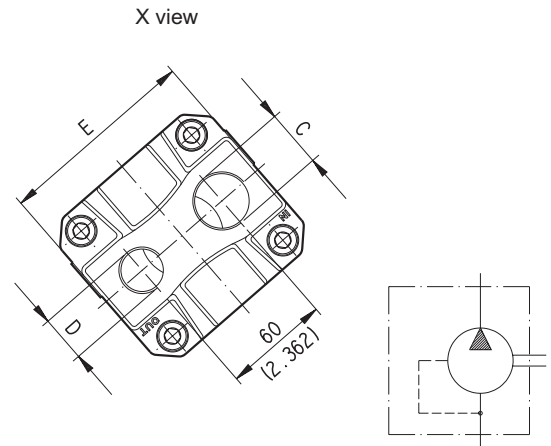
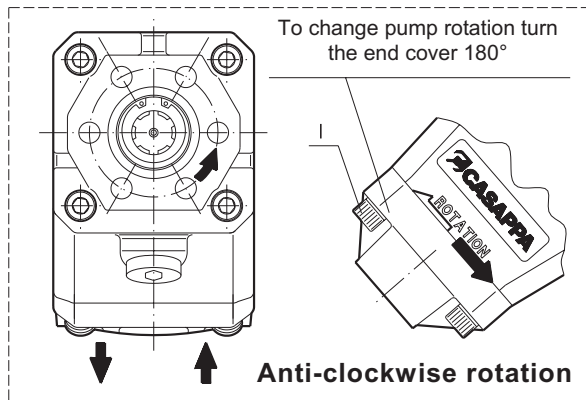
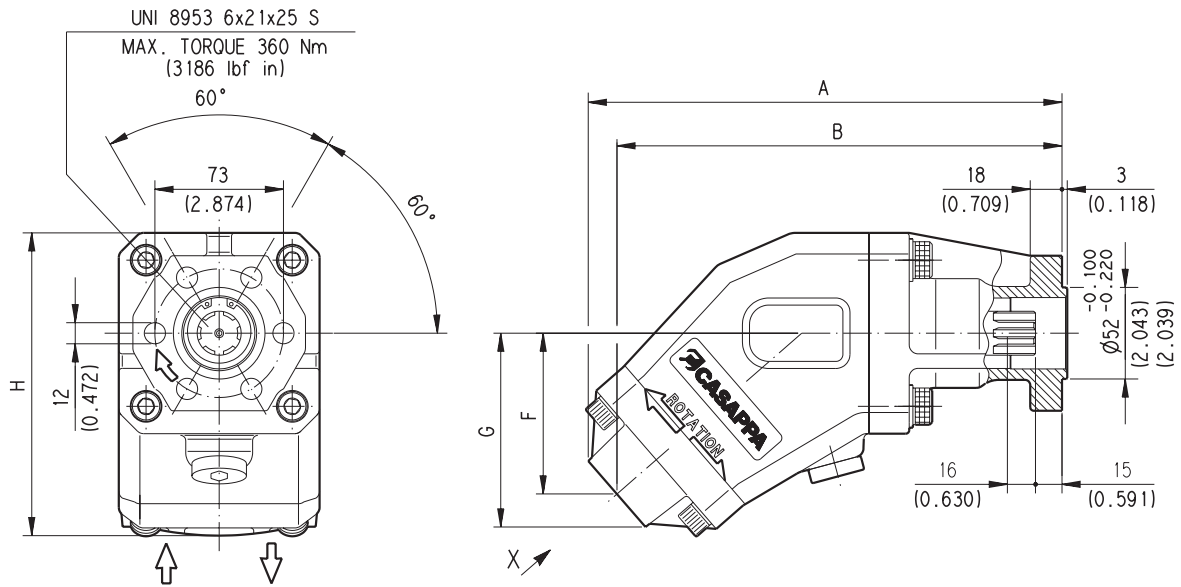
How to order **BAP 30•40 S0 - 16 Z0 - P GF/GE - N**

04/09.02

HYDRAULIC PISTON PUMPS ITALIAN STANDARD

19 T1

Replaces: 03/06.99



D026-D24/090Z

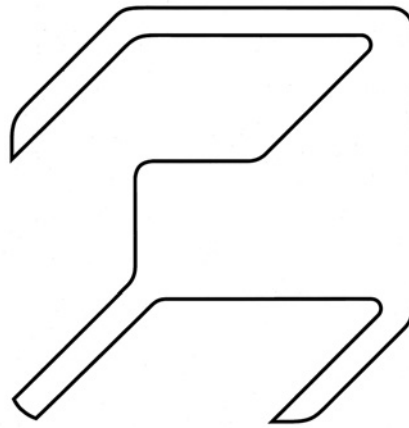
04/09.02

Pump type		A	B	C	D	E	F	G	H	I
		mm	mm	IN - BSPP (Nm)	OUT - BSPP (Nm)	mm	mm	mm	mm	Nm
BAP 30•40	S D	264	248	G 1 (50 ^{+2.5})	G 3/4 (90 ⁺⁵)	116	91	110	173	40 ⁺⁵
BAP 30•50										
BAP 30•63										
BAP 30•71										
BAP 30•80										
BAP 35•80	0-19 T1-P GG/GF-N	294	276	G 1 1/4 (60 ⁺⁵)	G 1 (130 ⁺¹⁰)	127	108	129	198	70 ⁺⁵

Rotation: S=anti-clockwise - D=clockwise

How to order

BAP 30•40 S0 - 19 T1 - P GF/GE - N



CASAPPA®

FLUID POWER DESIGN

CASAPPA S.p.A. - Parma - Italy - Tel.: + 39 0521 304111 - Fax: + 39 0521 804600

CASAPPA Corp. - Batavia, IL 60510 U.S.A. - Phone: 630 761-0041 - Fax: 630 761-0048

CASAPPA GmbH - Plüderhausen - Germany - Tel.: + 49 (0)7181 989830 - Fax: + 49 (0)7181 989831

CASAPPA SARL - La Rochelle - France - Tel.: + 33 (0)5 46372433 - Fax: + 33 (0)5 46423907

www.casappa.com
e-mail: info@casappa.com