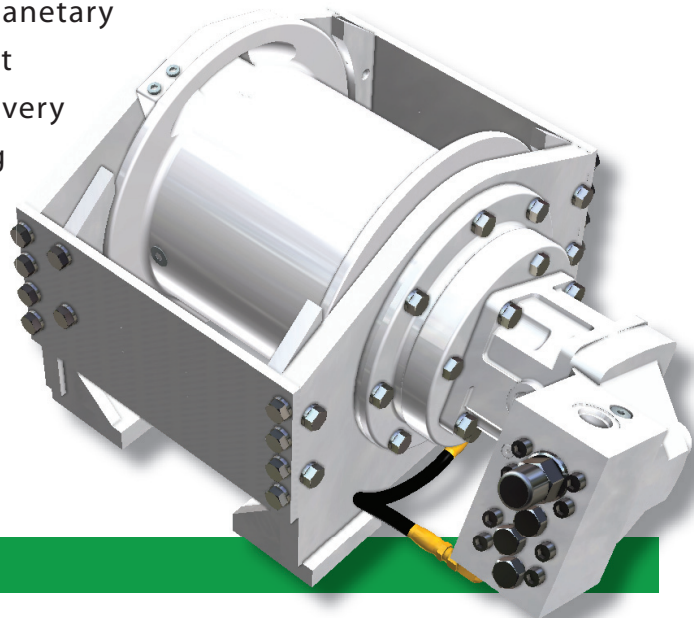


The BRADEN H20R Series is a compact planetary winch designed for long life and efficient operation in small-core drill rig and recovery applications. Dynamic and static braking features provide safe, smooth operation. High-efficiency anti-friction bearings are used throughout the winch to ensure long service life. The H20R features two gear ratios and a variety of motor options.

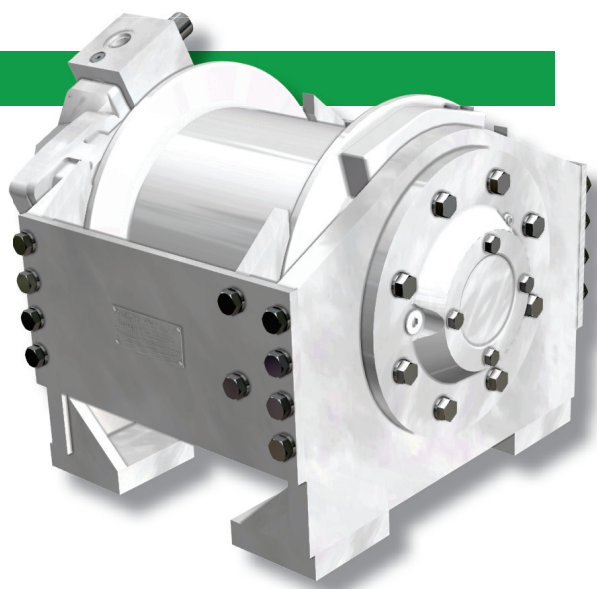


Features/Benefits

- Crowned and shaved gearing for smooth, quiet operation and long life
- Spring-applied, hydraulic-released multi-disc static wet brake holds load in event of hydraulic pressure loss
- Integral mounting feet on cast ductile iron side plates for maximum stability

Options

- Gear, piston, and low-speed-high-torque (LSHT) motor configurations
- Two drum sizes
- Free-spool configuration
- SAE A, B, or C motor mount
- 34:1 or 41:1 gear ratio
- Underwound drum



H2OR PLANETARY WINCH

20,000 lb (9,070 kg)



Specifications

Braden Planetary Winches are available in a variety of drums, gear ratios, and motor displacements to meet your requirements.

The configuration of each Braden product may be determined by this nomenclature system:

H	20	R	—	FS	—	41	P	064	—	01
HYDRAULIC WINCH	MAX RATING	RECOVERY		DESIGN MODEL		GEAR RATIO	MOTOR TYPE	MOTOR SIZE		DRUM SIZE

<i>CHAR.</i>	<i>DESIGNATION</i>
H	HYDRAULIC WINCH
20	FIRST LAYER LINE PULL, X 1,000 LB.
R	RECOVERY WINCH
FS	FREE SPOOL CAPABILITY
41	TOTAL GEAR REDUCTION RATIO
P	PISTON MOTOR
064	HYDRAULIC MOTOR DISPLACEMENT (064 = 6.4 CU INCHES/REVOLUTION)

Performance

H2OR-FS-41064-01

6.38 cu in. (104.5 cc) motor
 3,000 psi (207 bar) @ 45 gpm (170 lpm)
 Wire rope diameter: 0.625 in. (16 mm)
 Weight: 515 lb (234 kg)

	LINE PULL		LINE SPEED		ROPE CAPACITY	
	LB	KG	FPM	MPM	FT	M
1	20,000	9,070	97	30	32	10
2	17,890	8,115	109	33	68	21
3	16,190	7,340	120	37	108	33
4	14,780	6,700	132	40	152	46
5	13,600	6,170	143	44	199	61

H2OR-SPL-410P037-21

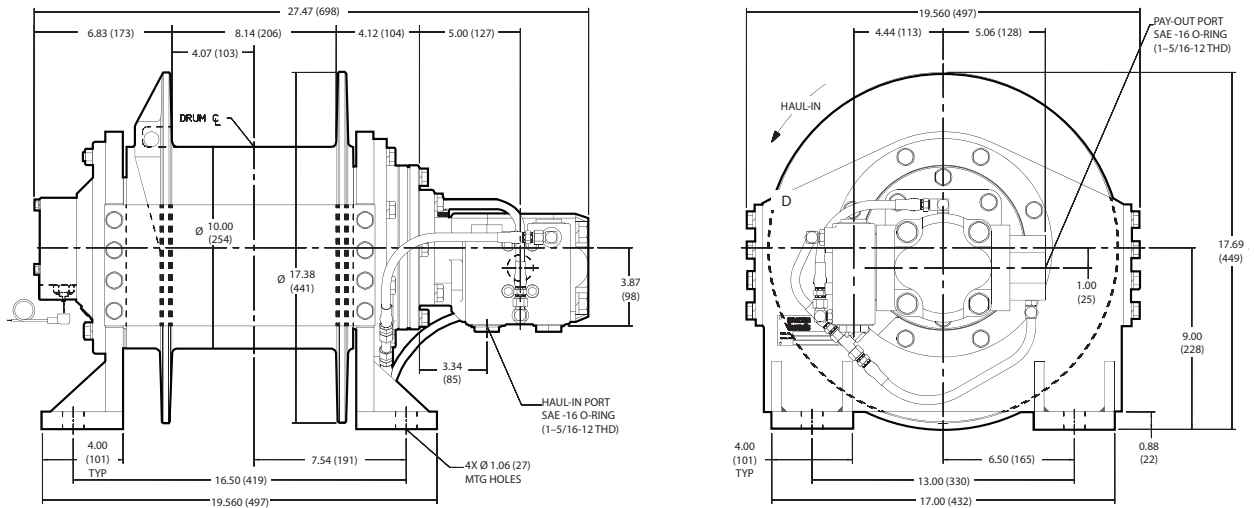
3.6 cu in. (60 cc) motor
 4,900 psi (337 bar) @ 60 gpm (227 lpm)
 Wire rope diameter: 0.625 in. (16 mm)
 Weight: 444 lb (200 kg)

	LINE PULL		LINE SPEED		ROPE CAPACITY	
	LB	KG	FPM	MPM	FT	M
1	18,000	8,165	249	76	36	11
2	16,100	7,300	279	85	77	23

Dimensions

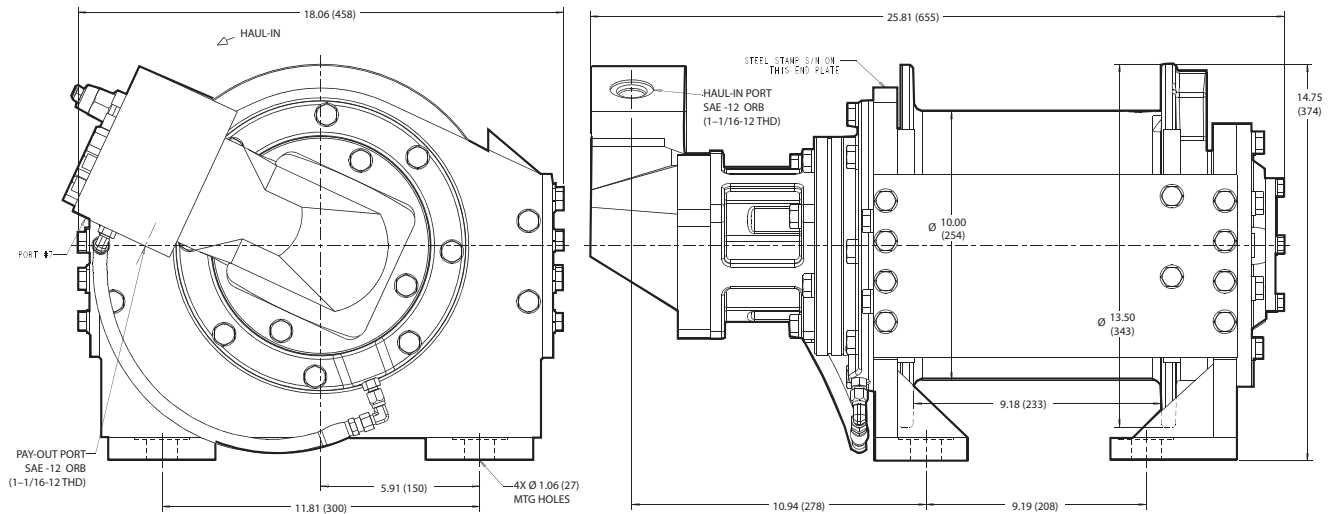
DIMENSIONS IN INCHES (MM)

H2OR-FS-41064-01



DIMENSIONS IN INCHES (MM)

H2OR-SPL-410P037-21

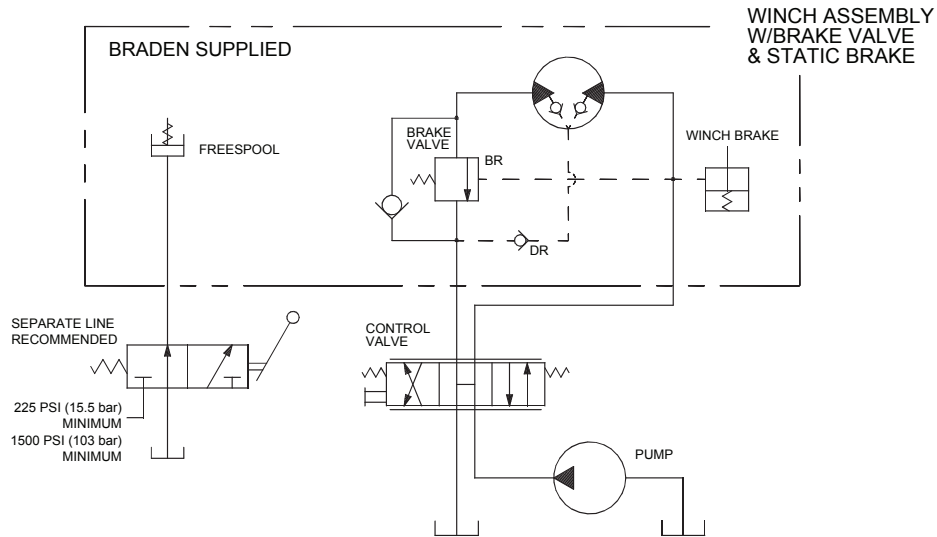


H2OR PLANETARY WINCH 20,000 lb (9,070 kg)

BRADEN®

Typical Hydraulic Control Circuits

H2OR-FS-41064-01



H2OR-SPL-410P037-21

