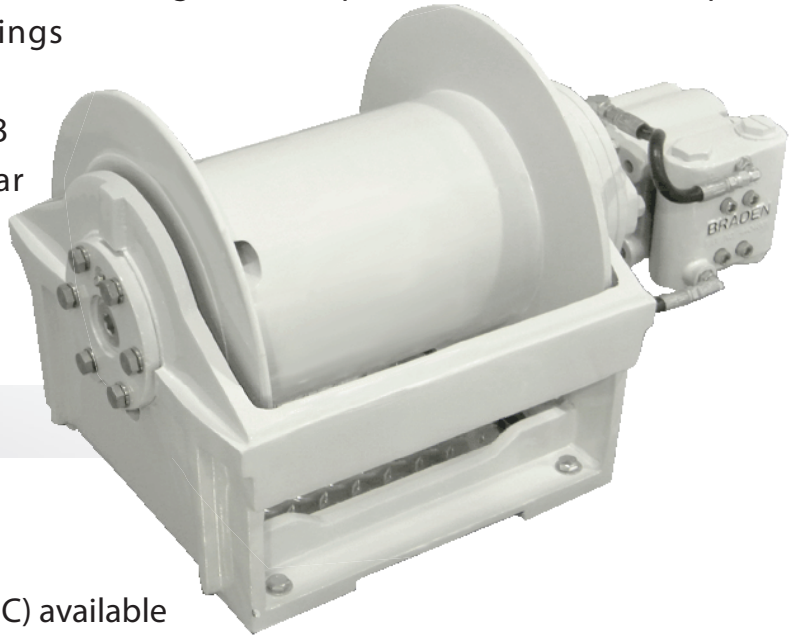


## **BG8B PLANETARY HOIST**

Our BG8B is designed for long life and efficient operation to meet a variety of applications—from marine industry boom hoists to the dynamic swing winch systems used on dredges. Dynamic and static braking features provide safe, smooth operation. High-efficiency anti-friction bearings are used throughout the hoist to ensure long service life. The BG8B is available in a wide range of gear ratios and motor displacements.

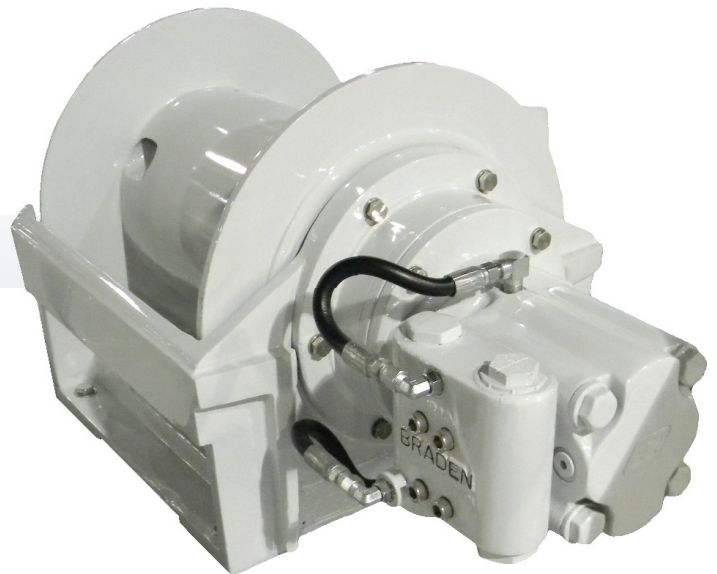


### **Features**

- 8,000 lb first layer (9,000 lb for H model) line pull
- Personnel handling option (API 2C) available
- High-capacity and API drum size options
- Multiple high-efficiency motor displacement options
- Multi-disc static brake
- Counterbalance valve for dynamic braking
- Full-load wire rope anchor

### **Benefits**

- Sealed gearing reduces service intervals
- Compact design
- Ease of installation
- Smooth operation
- Reliable, long-lasting performance
- Low ownership costs



### Performance

#### BG8B-23039-01

3.92 cu in. Motor (64cc)  
3000 psi (206 bar) @ 65 gpm (246 lpm)  
Wire Rope Diameter: 1/2"

	LINE PULL		LINE SPEED		ROPE CAPACITY	
	LB	KG	FPM	MPM	FT	M
1	6,690	3,041	361	110	57	17
2	6,020	2,736	401	122	121	37
3	5,470	2,486	441	134	191	58
4	5,020	2,282	481	147	267	81
5	4,630	2,105	521	159	350	107
6*	4,300	1,955	561	171	439	134

\* Layer does not meet ANSI B30.7

#### BG8B-34039-01H

3.92 cu in. Motor (64cc)  
2721 psi (187 bar) @ 55 gpm (208 lpm)  
Wire Rope Diameter: 1/2"

	LINE PULL		LINE SPEED		ROPE CAPACITY	
	LB	KG	FPM	MPM	FT	M
1	9,000	4,091	202	62	57	17
2	8,100	3,682	225	69	121	37
3	7,360	3,345	248	76	191	58
4	6,750	3,068	270	82	267	81
5	6,230	2,832	293	89	350	107
6*	5,790	2,632	315	96	439	134

\* Layer does not meet ANSI B30.7

#### BG8B-34039-01

3.92 cu in. Motor (64cc)  
2419 psi (166 bar) @ 65 gpm (246 lpm)  
Wire Rope Diameter: 1/2"

	LINE PULL		LINE SPEED		ROPE CAPACITY	
	LB	KG	FPM	MPM	FT	M
1	8,000	3,636	243	74	57	17
2	7,200	3,273	270	82	121	37
3	6,550	2,977	297	91	191	58
4	6,000	2,727	324	99	267	81
5	5,540	2,518	351	107	350	107
6*	5,140	2,336	378	115	439	134

\* Layer does not meet ANSI B30.7

#### BG8B-59020-01

1.96 cu in. Motor (32cc)  
2918 psi (201 bar) @ 35 gpm (132 lpm)  
Wire Rope Diameter: 1/2"

	LINE PULL		LINE SPEED		ROPE CAPACITY	
	LB	KG	FPM	MPM	FT	M
1	8,000	3,636	145	44	57	17
2	7,200	3,273	161	49	121	37
3	6,540	2,973	178	54	191	58
4	6,000	2,727	194	59	267	81
5	5,540	2,518	210	64	350	107
6*	5,140	2,336	226	69	439	134

\* Layer does not meet ANSI B30.7

### Dimensions (Model BG8B-59020-01 shown)

