

CABLE REEL



AW CABLE REEL



SPRING

MACHINE CONTROL

ON BOARD ELECTRONIC SYSTEMS



AVV CABLE REEL

AVV CABLE REEL Main Features:

- Available in LEFT and RIGHT version
- Available with:
 - Steel rope or Wires rope shield
- IP 66
- Contacts : 4 (starting from)
- Rings: 4 golden rings for bus signal
- Preload: 2 turns
- Extra cable: 3m
- Available with: 360° inclinometer and length sensor (simple or redundant)
- Compliance UNI EN ISO 13849-1 and 13849-2 PL c/d
- Stop screw

PLUS:
New dedicated
UNIQUE MOLD

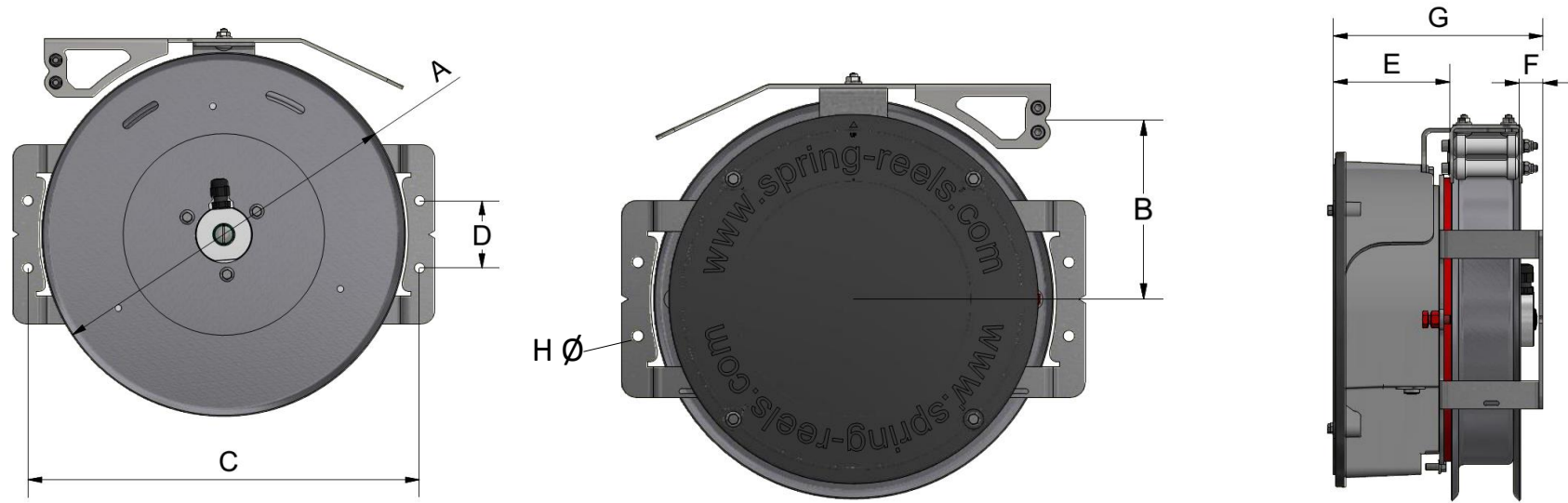
Software, hardware and sensors
are manufactured with our trade mark.



SPRING
MACHINE CONTROL
ON BOARD ELECTRONIC SYSTEMS


MADE IN ITALY





MODEL	A	B	C	D	E	F	G	H
AVV 15	325mm	145.50mm	350mm	60mm	105mm	18mm	200mm	9mm
AVV 20	325mm	145.50mm	350mm	60mm	105mm	18mm	200mm	9mm
AVV 25	325mm	145.50mm	350mm	60mm	105mm	18mm	200mm	9mm
AVV 32	400mm	185.50mm	450mm	60mm	105mm	18mm	200mm	9mm
AVV 40	450mm	225.50mm	500mm	60mm	105mm	18mm	200mm	9mm



SPRING

MACHINE CONTROL

ON BOARD ELECTRONIC SYSTEMS



SPRING s.r.l.

Via Monte Grappa 4

28040 Dormelletto (NO) – ITALY

Tel. +39 0322 4011.11 R.A.

FAX +39 0322 401140

info@springmachinecontrol.com

P. IVA 02425870033



SPRING s.r.l. reserves the right to modify the contents of this file in any moment, without notice.