

Product code: PVRGPP00003

PWM ramp generator with incremental control - box mount

CONFIGURATION SHEET

This document describes the configuration of this specific product code

Cable and connettor: L=0.2m - Deutsch DT04-8

- Pin 1: positive battery (supply)
- Pin 2: positive proportional PWM for solenoid side A
- Pin 3: negative for solenoid side A
- Pin 4: digital input IN1 (side A increase / side B decrease)
- Pin 5: digital input IN2 (side A decrease / side B increase)
- Pin 6: negative for solenoid side B
- Pin 7: positive proportional PWM for solenoid side B
- Pin 8: negative battery (supply)

Proportional output settings

	Side A	Side B
minimum current (Imin):	250 mA	250 mA
maximum current (Imax):	850 mA	850 mA
acceleration ramp:	0 s	0 s
deceleration ramp:	0 s	0 s

PWM frequency: 100 Hz

Incremental control

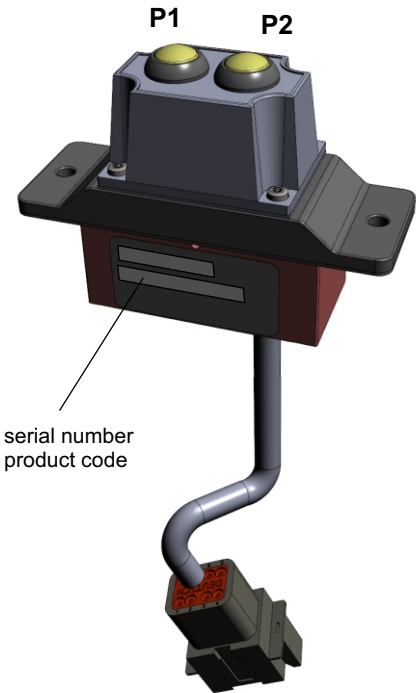
- Number of output levels: 127 levels
- Autorepeat start delay: 0,5 s
- Autorepeat rise time: 5 s

Autorepeat stops crossing the zero level.

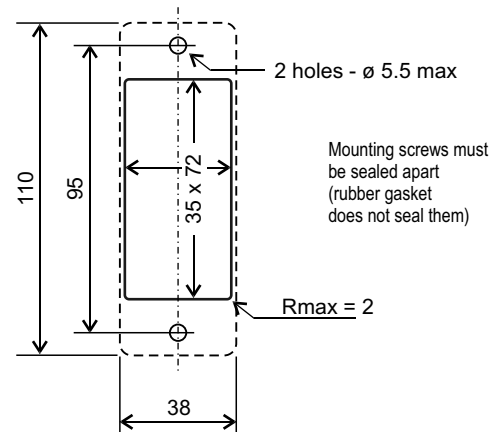
Pushing together P1 and P2 the output returns to rest position.

With memory (remembers last output value)

Configuration file: **"003_PVRGPP0xxx.cfg"**



Dimensions - drill mask



Connections

